

T32GN

Dual-port Gigabit Ethernet, Power over Ethernet
3" TFT-LCD, 262K colours, Intuitive user interface
HD Voice: HD Codec, HD speaker, HD handset
3 VoIP accounts, BLF/BLA, IPV6, Open VPN



PoE

The T32GN IP Phone is ideal for users with demanding collaborative communication needs. It is a future-proofing network investment which supports seamless migration to GigE-based network infrastructure. Dual-port Gigabit Ethernet is designed for flexible deployment options and lower cabling costs, while its high-resolution TFT color display provides an eye-catching depiction of callers' information. The user interface is designed for clarity and intuitive operation.

Fully equipped with the TI Aries chipset, HD handset, HD speaker and HD codec (G.722), T32GN offers an unrivalled, lifelike audio experience. Furthermore, The T32GN Phone supports the security standards which prevent recording of data, including TLS, SRTP, HTTPS, 802.1x, Open VPN and AES encryption.

T32GN

Phone Features

3 VoIP accounts, Hotline, Emergency call
Call hold, Call waiting, Call forward,
Call return, Call transfer (Blind/Semi-
attended/Attended)

Caller ID display, Redial, Mute, DND
Auto-answer, 3-way conferencing
Speed dial, SMS, Voicemail
Message Waiting Indication (MWI) LED
Tone scheme, Volume control
Direct IP call without SIP proxy
Ring tone selection/Import/Delete
Phonebook (1000 entries), Black list
Call history: Dialed/Received/Missed/
Forwarded, Menu-driven user interface
Localised language and input method
Soft keys programmable

Advanced Features

XML phonebook search/import
LDAP phonebook
XML Idle Screen
Action URL & Active URI
Wallpaper, Screensaver
Color Picture Caller-ID
Theme, Screen Sleep

IP PBX System Integration

Busy lamp field (BLF), BLF list, (BLA)
DND & Forward synchronization
Intercom, Paging, Music on hold
Call park, Call pickup
Call recording, Call completion
Group listening, Group pickup
Anonymous call, Anonymous call

rejection

Network conference
Distinctive ringtone
Dial Plan, Dial-now

Codex and Voice Features

Wideband codec: G.722
Narrowband codec: G.711 μ /A, G.723.1
G.726, G.729AB
VAD, CNG, AEC, PLC, AJB, AGC
Full-duplex speakerphone with AEC

Network Features

SIP v1 (RFC2543), v2 (RFC3261)
IPv6, DNS SRV (RFC3263)
Redundant server support
NAT Traversal: STUN mode
DTMF: In-Band, RFC2833, SIP Info
Proxy mode and peer-to-peer SIP link
mode,
IP Assignment: Static/DHCP/PPPoE
Bridge/router mode for PC port
TFTP/DHCP/PPPoE client
Telnet/HTTP/HTTPS server
DNS client, NAT/DHCP server
Logout

Management

Auto-provision via FTP/TFTP/HTTP/
HTTPS, Auto-provision with PnP
SNMP V1/2 optional, TR069 optional
Configuration: browser/phone/auto-
provision
Factory configuration customised
Trace package and system log export

Security

Open VPN, 802.1x, VLAN QoS (802.1pq),
LLDP
Transport Layer Security (TLS)
HTTPS (server/client), SRTP (RFC3711)
Digest authentication using MD5/MD5-
sess
Secure configuration file via AES
encryption
Phone lock for personal privacy
protection
Admin/VAR/User 3-level configuration
mode

Physical Features

2xRJ45 10/100/1000Mbps Ethernet ports
TI Aries chipset
3" TFT-LCD, 480 x 272 pixel, 262K colours
32 keys including 3 programmable keys
1xRJ9 (4P4C) handset port
1xRJ9 (4P4C) headset port
Optional power adapter: AC 100~240V
input and DC 5V/2A output
Power over Ethernet (IEEE 802.3af)
Power consumption: 4.0W
Net weight: 0.77KG
Dimension: 185 x 200 x 90mm
Operating humidity: 10~95%
Storage temperature: up to 60°C

Certifications

 WEEE Compliant

 ROHS Compliant

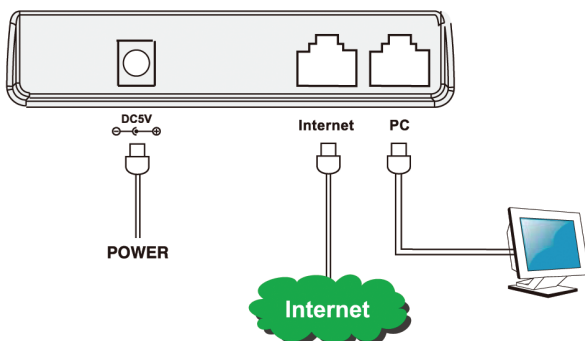
 











Yealink
EASY VoIP